

UDT-520D-X

700TVL Vandal Proof UFO Dome Camera

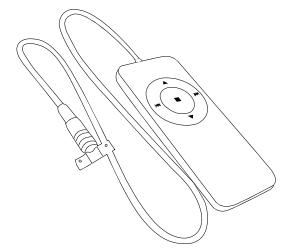
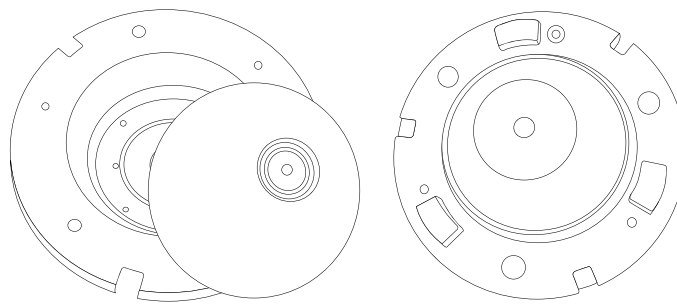
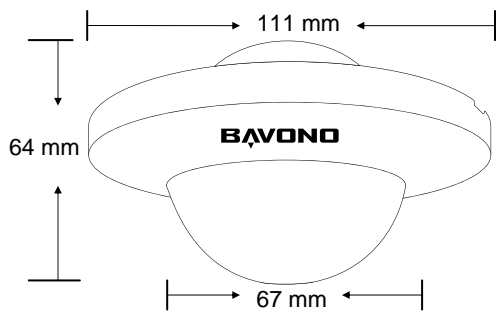
Features

- ▶ 1/3" Sony Super HAD CCD II
- ▶ 700 TVL (Color) / 800 TVL (B/W) of Horizontal Resolution
- ▶ Minimum Illumination of 0.05 Lux at F1.2
- ▶ UTC (up-the-coax) technology for remote OSD configuration (compatible UTC controller is required)
- ▶ The defog function enhances picture clarity during conditions such as rain, fog, and haze
- ▶ Digital Wide Dynamic Range
- ▶ 8 Zones Privacy Masking Function
- ▶ Digital Noise Reduction for Reducing HDD Capacity
- ▶ Built-in OSD (On Screen Display)
- ▶ Designed specifically for footfall counting
- ▶ Power Supply: DC 12V



1/3" SONY Super HAD CCD II	700 TVL (Color) 800 TVL (B/W)	0.05 Lux / F1.2	D-WDR	OSD	Defog	UTC
Image Sensor	Resolution	Min. illumination	Wide Dynamic Range	Menu	Advanced	OSD Control

Dimensions



UTC Controller
(optional)

Specifications

Model	UDT-520D-X
Video Standard	NTSC / PAL
Image Sensor	1/3" Sony Super-HAD II CCD
Total Picture Elements	1020(H) X 508(V) / 1020(H) X 596(V)
Effective Picture Elements	976(H) X 494(V) / 976(H) X 582(V)
Synchronizing System	Internal, AC Line Lock
Horizontal Resolution	Color: More than 700 TVL B/W: More than 800 TVL
Minimum Illumination	Color: 0.05 Lux@F1.2(50IRE) / 0.06 Lux(15IRE) B/W: 0.01Lux@F1.2(50IRE) / 0.006 Lux(15IRE)
Video S/N Ratio	52dB
OSD Language	English / Simplified Chinese / Traditional Chinese
Day / Night Mode	Auto / Day / Night / Ext / CDS
Highlight Compensation (HLC)	Low / Middle / High
High Speed Shutter	Indoor Outdoor (1/60(1/50) ~ 1/120Ksec)
Flickerless Mode	OFF / ON
WDR	AUTO / MANUAL (Low / Middle / High)
Auto Gain Control (AGC)	Level Setting
ALC (Auto Level Control)	AI Lens (DC)
Defog	AUTO / MANUAL (Low / Middle / High)
Digital Noise Reduction (DNR)	Off / Low / Middle / High (Adaptive 2D)
Gamma	0.35 ~ 0.70
White Balance	ATW / AWC / Manual
Camera No. / ID	Off / On (Max. 255 NO, 8ea ID/1Line)
Motion Detection	4 zones (On/Off, Position, Sensitivity)
Privacy Masking	8 zones (On/Off, Color, Position)
Lens	2.8 / 3.6 mm
Video Output	VBS 1.0V p-p (75ohm Terminated)
Power Input	DC12V ± 10%
Power Consumption	Less than 1.2W
Operating Temperature	-10°C ~ +50°C
Operating Humidity	Less than 90%
Shell Material	Vandal Proof Metal
Dimension (mm)	110 (Ø) × 64 (H)
Gross Weight (g)	434

Applications



Libraries



Restaurant Chains



Shopping Malls



Railway Stations



Casinos



Retail Stores