

BVO409F-XA

700TVL IR Array Varifocal Bullet Camera

Product Overview

Bavono BVO409F-XA 700TVL IR Array Varifocal Bullet Camera features a unique and user-friendly design, built-in OSD and UTC (up-the-coax) control, a durable metal exterior. UTC control technology enables control of the OSD menu via a coaxial cable with the use of a remote controller, which makes it easier and more convenient to set a camera after installation. This varifocal night vision camera has a manual zoom adjustment function and an optional extended mounting bracket. It utilizes infrared LED arrays with an effective range of up to 60-80 meters, and weatherproof against dust and rain, with an Ingress Protection Rating of IP66. BVO409F-XA is an ultimate choice for professional security providers.

Infrared Technology

A human eye can only detect wavelengths within the visible spectrum, which is only a small portion of the electromagnetic spectrum. Visible colors ranging from the longest to shortest are red, orange, yellow, green, blue, and violet. Colors with a longer wavelength than red are known as infrared radiation, and colors with a shorter wavelength than violet are known as ultraviolet radiation. Infrared bounces off objects in darkness and enters a special lens which is then generated into an image. This enables images to be captured in dark settings where the surroundings are not visible to humans.

Horizontal Resolution

Horizontal Resolution is one of the key factors in assessing the quality of cameras expressed in Television Lines (TVL). Optical low-pass filters are used in Bavono cameras to eliminate color aliasing. Serial Signal Processing and image enhancement technology deliver a high resolution of 700 TVL. The image quality is further enhanced via advanced image processing techniques and special algorithms.

Digital Noise Reduction

DSP (Digital Signal Processing) cameras utilize special digital noise reduction algorithms to significantly eliminate signal disturbances and color noise. As a result, motion trails are minimized to deliver high quality images.

Privacy Masking

The Privacy Masking function allows users to block out designated areas where video surveillance is not desirable.

Electronic Shutter

Electronic Shutter ensures clarity of objects in high speed motion. Shutter speed is directly proportional to image quality.

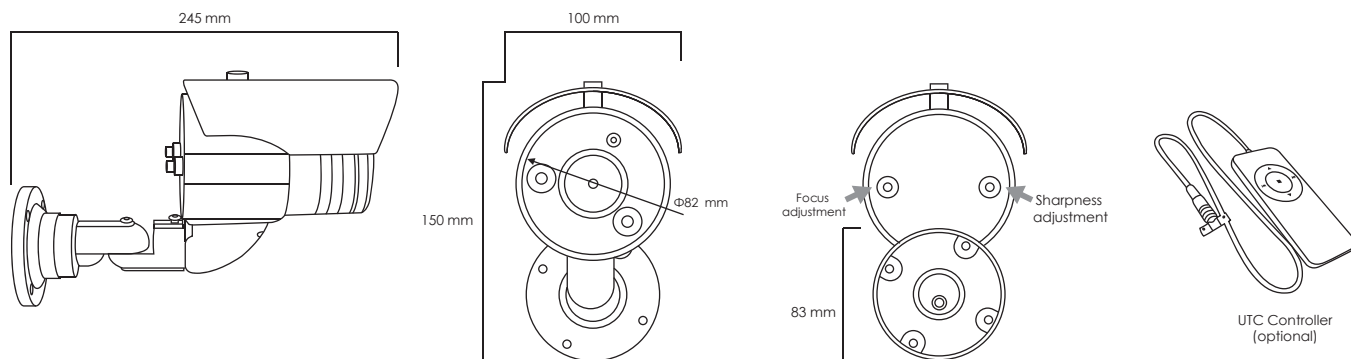
Features

- ▶ 1/3" Sony Super HAD CCD II
- ▶ More Than 700 TVL of Horizontal Resolution
- ▶ Minimum Illumination of 0.05 Lux at F1.2 and 0 Lux with IR On
- ▶ UTC (up-the-coax) technology for remote OSD configuration (compatible UTC controller is required)
- ▶ The defog function enhances picture clarity during conditions such as rain, fog, and haze
- ▶ Digital Wide Dynamic Range
- ▶ 9 - 22mm Varifocal Lens
- ▶ 3 Array IR LEDs, IR LED Effective Range Reaches Up to 60-80 Meters
- ▶ Ingress Protection Rating of IP66
- ▶ 8 Zones Privacy Masking Function
- ▶ Digital Noise Reduction for Reducing HDD Capacity
- ▶ Power Supply: DC 12V



1/3" SONY Super HAD CCD II	700 TVL (Color) 800 TVL (B/W)	0.05 Lux / F1.2	60-80 m	D-WDR	OSD	UTC	IP66	Defog
Image Sensor	Resolution	Min. illumination	IR LED Range	Wide Dynamic Range	Menu	OSD Control	Ingress Protection	Advanced

Dimensions



Specifications

Model	BVO409F-XA
Video Standard	NTSC / PAL
Image Sensor	1/3" Sony Super-HAD II CCD
Total Picture Elements	1020(H) X 508(V) / 1020(H) X 596(V)
Effective Picture Elements	976(H) X 494(V) / 976(H) X 582(V)
Synchronizing System	Internal, AC Line Lock
Horizontal Resolution	Color: More than 700 TVL B/W: More than 800 TVL
Minimum Illumination	Color: 0.05 Lux@F1.2(50IRE) / 0.06 Lux(15IRE) B/W: 0.01Lux@F1.2(50IRE) / 0.006 Lux(15IRE)
IR LED	3 Arrays
IR LED Effective Range	Up to 60-80 Meters
Video S/N Ratio	52dB
OSD Language	English / Simplified Chinese / Traditional Chinese
Day / Night Mode	Auto / Day / Night / Ext / CDS
Highlight Compensation (HLC)	Low / Middle / High
High Speed Shutter	Indoor Outdoor (1/60(1/50) ~ 1/120Ksec)
Flickerless Mode	OFF / ON
WDR	AUTO / MANUAL (Low / Middle / High)
Auto Gain Control (AGC)	Level Setting
ALC (Auto Level Control)	AI Lens (DC)
Defog	AUTO / MANUAL (Low / Middle / High)
Digital Noise Reduction (DNR)	Off / Low / Middle / High (Adaptive 2D)
Gamma	0.35 ~ 0.70
White Balance	ATW / Push / Manual
Camera No. / ID	Off / On (Max. 255 NO, 8ea ID/1Line)
Motion Detection	4 zones (On/Off, Position, Sensitivity)
Privacy Masking	8 zones (On/Off, Color, Position)
Lens	5-15 / 9-22 mm
Protection Rating	IP66
Video Output	VBS 1.0V p-p (75ohm Terminated)
Power Input	DC12V ± 10%
Power Consumption	Less than 1.2W
Operating Temperature	-10°C ~ +50°C
Operating Humidity	Less than 90%
Shell Material	Metal
Dimension (mm)	225 x 101 x 150
Gross Weight (g)	1300

Applications



Offices



Warehouses



Hotels



Pubs



Retail Stores



Restaurant Chains



Parks